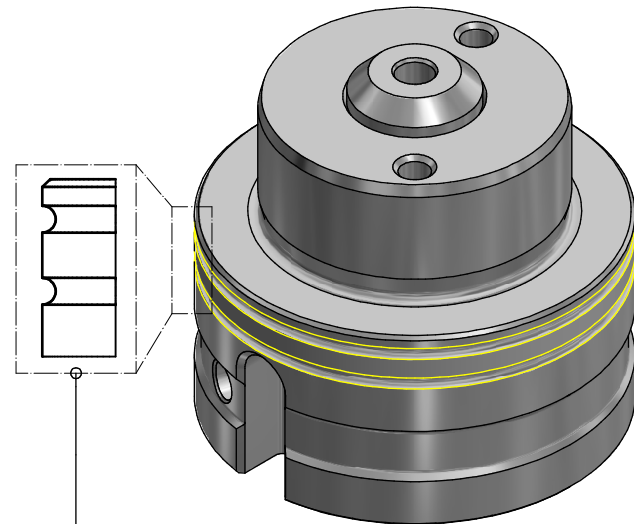


CATERPILLAR\PERKINS EUI CONTROL VALVES

3406E / 3508 3512 3516 / C10 C12 C13 C15 C16 C18 C27 C32 INJECTORS

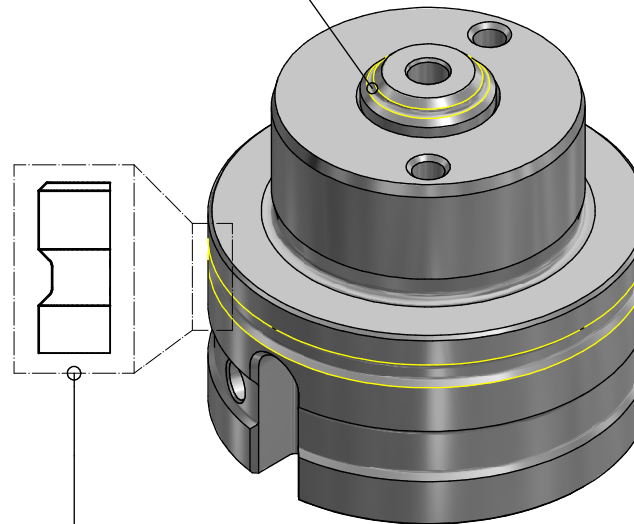
23952/31



2 SMALL
GROOVE

23956/31

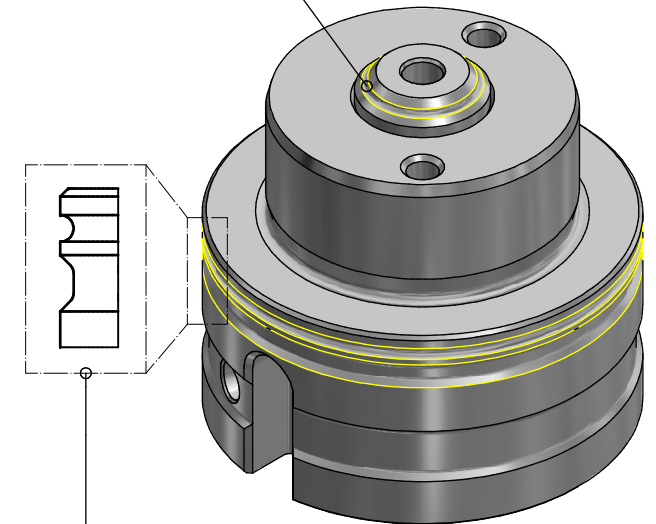
GROOVE



1 WIDE
GROOVE

23957/31

GROOVE



1 SMALL GROOVE
1 WIDE GROOVE

WE RECOMMEND REPLACING THE VALVE

WITH THE IDENTICAL TYPE FOUND IN THE INJECTOR TO BE REBUILT.

FOR FURTHER INFORMATION, PLEASE CONTACT YOUR NEAREST DEALER.



last. update 30.03.2021